

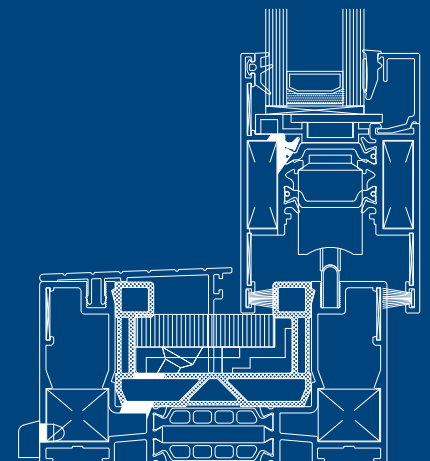
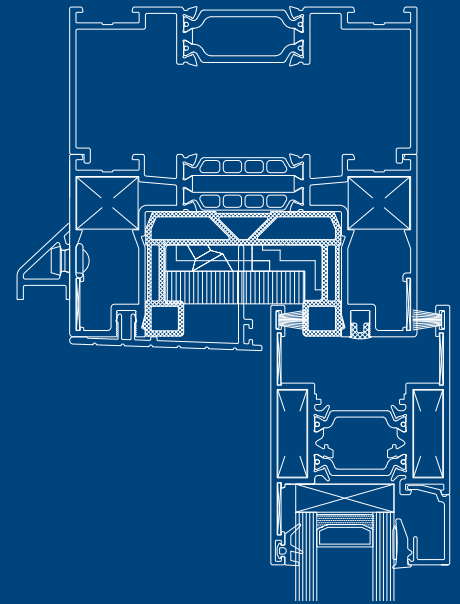


smart
architectural aluminium

Visoglide Plus

Visoglide Plus offers the same contemporary styling and robust performance associated with the system whilst delivering superior thermal performance.

- U Value 1.6 W/m²K
- Air Class 3, 600Pa
- Water Class 7a, 300Pa
- Wind Class AE, 2400Pa
- Inline sliding or lift & slide options
- Colour matched accessories now available
speak with your supplier for details
- British Standard Kitemarked system achieving:
KM 530838 PAS 24:2012





Project

Said Business School

Egrove Park, Kennington Road, Oxford OX1 5NY

Architect

Dixon Jones

2-3 Noel Road, Hanover Yard, London N1 8YA

Main Contractor

Chalegrove Properties Ltd

243 Knightsbridge, London, SW7 1DN

Summary

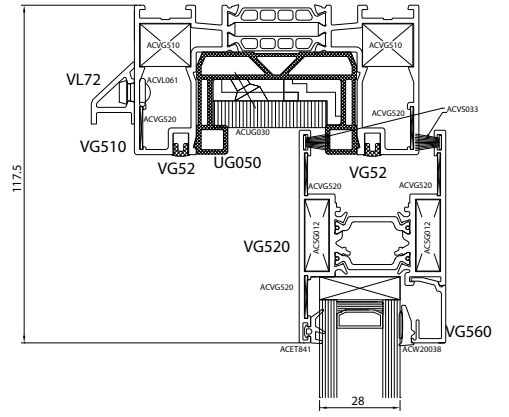
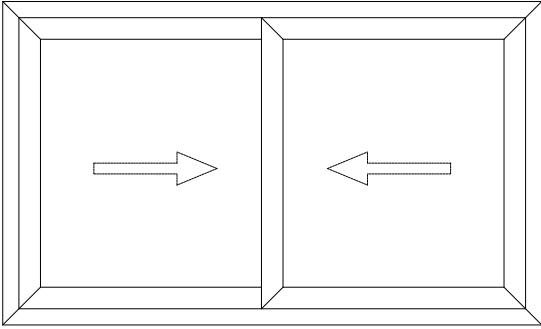
The second phase of Oxford University's Said Business School was completed in July 2012 and officially opened in February 2013. A striking feature of the building's external façade is an 8.2 metre run of Smart Visoglide sliding doors, installed in an unusual 'zigzag' formation which makes the internal space extremely flexible, allowing easy movement to a large paved terrace.

Elsewhere, Visoglide doors have also been used to add a feeling of light and space to the meeting and dining rooms, some with access to external and others to internal balcony areas. Continuing the design theme, the Visoline casement and tilt & turn windows and single and Smart Wall double doors were installed where possible without mullions or transoms to accentuate the systems' slim lines. Finally an imposing Smart Wall double door leads students, staff and visitors from the building's reception area to a central staircase and the impressive facilities beyond.

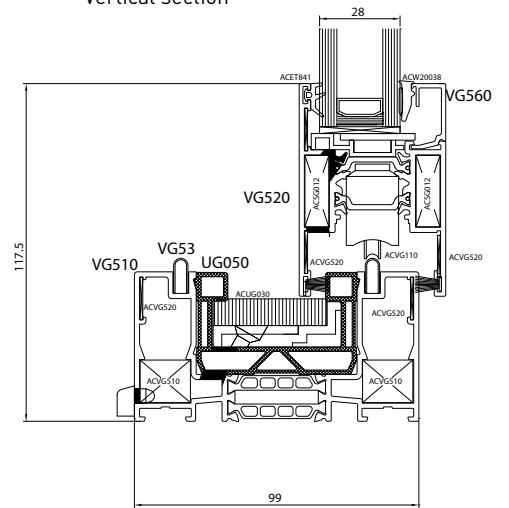


Examples of Typical Sections

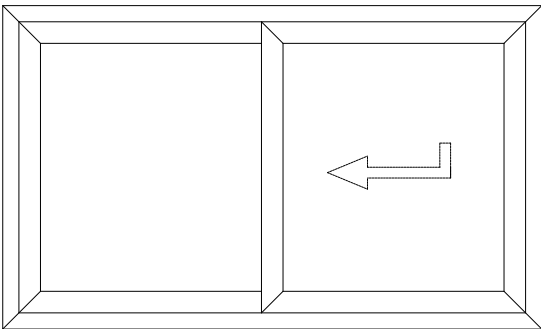
Visoglide Plus Inline Sliding Door



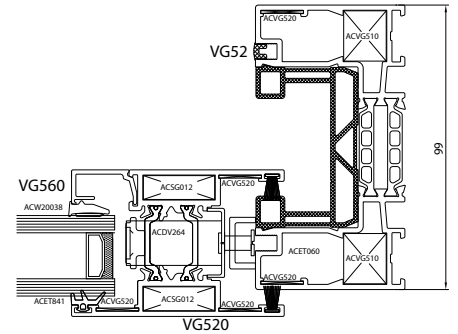
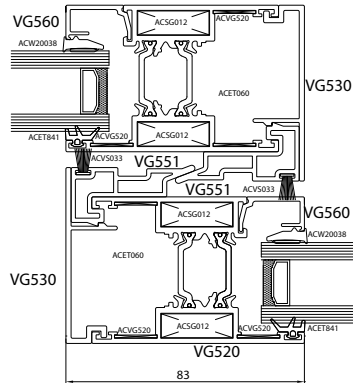
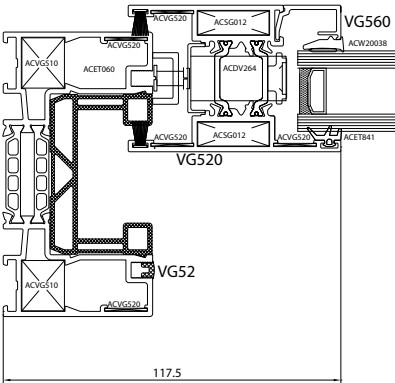
Vertical section



Visoglide Plus Lift and Slide Door



Horizontal section through inline sliding door



Horizontal section through lift and slide door

