



Crafted Precision

brought to you by Virtuoso Doors

www.virtuoso-doors.co.uk

Introduction

Welcome

VIRTUOSO
DOORS



About Us

Operating from our 70,000 sq. ft. state of the art manufacturing facility in the North East of England and employing over 120 high skilled workers, Virtuoso Doors has grown into one of the industry's largest and most respected manufacturers.

Virtuoso Doors are manufacturers of high-end GRP Composite Doors and PVCu infill panels. Established in 1981, our experience is reflected in the absolute quality of our products.

We have experienced significant growth as a company and have made a commitment to helping our customers achieve the same kind of growth. We achieve this by offering market leading products, ensuring we stay at the forefront of industry developments and reacting early to anticipated market changes.

Virtuoso products are available from **5 working days**

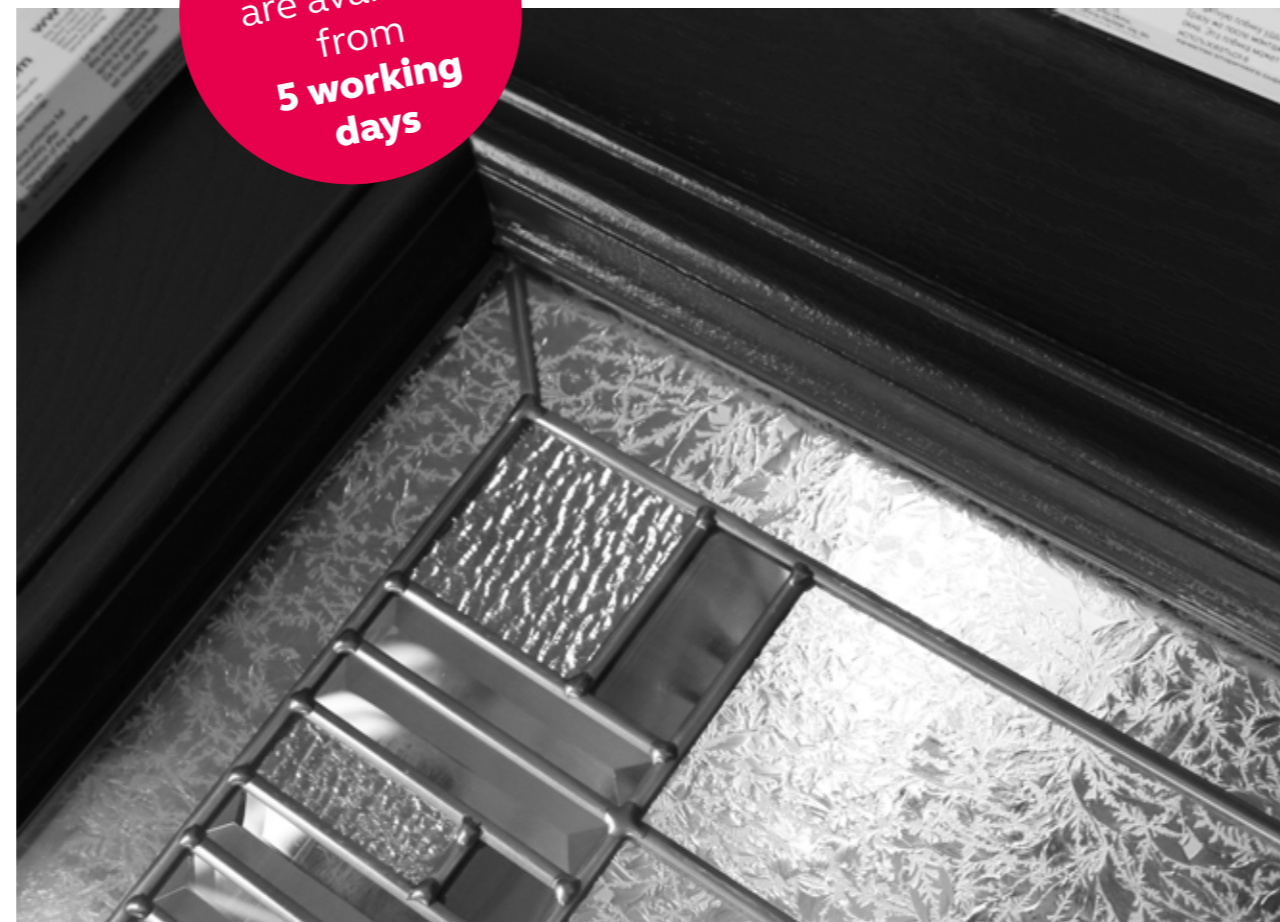
Why Choose Us?

Utilising our in-house product development team ensures we provide one of the most comprehensive product ranges in the market. We have built lasting relationships with trade customers, some dating back over 20 years, demonstrating our commitment to the trade market.

Our products are manufactured using state-of-the-art equipment for absolute precision. Stuga Flowlines, Quad Welders & CNC Corner Cleaners ensure a perfect composite door frame. SCM Beam saws, Edge Banders and Twin Bed CNC Machines ensure a perfect door slab.

Our highly trained craftsmen and women have a keen eye for detail and follow a strict quality control programme. We also only use the best materials available on the market.

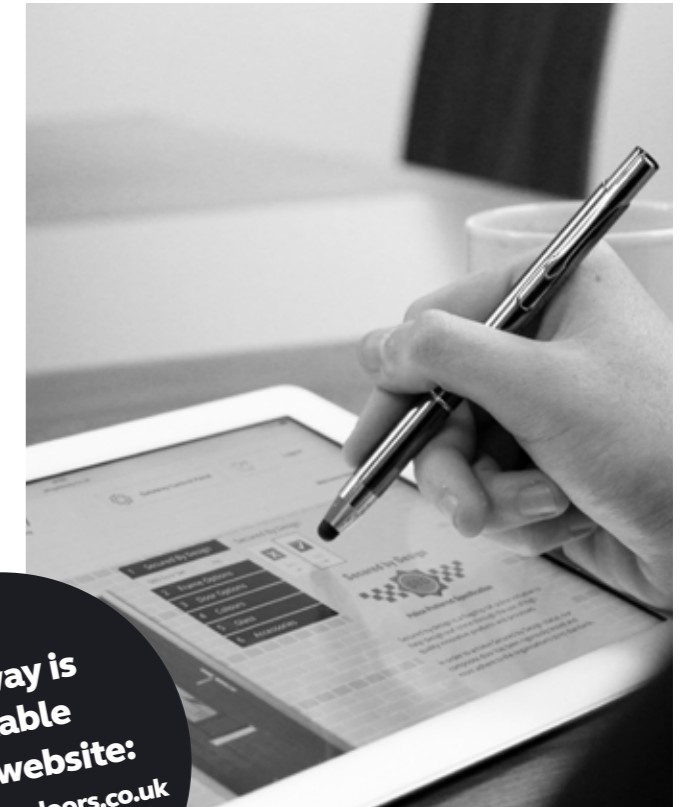
Choose from Duraflex, Veka Halo or Rehau frame profiles. The Yale door lock & cylinder offer the consumer peace of mind. Fab & Fix suited handles, letterboxes and knockers give a high quality finish. We never compromise on quality.



Introduction

Online Ordering

VIRTUOSO
DOORS



Gateway: your online ordering system

Login to Gateway to design and order composite doors and PVCu panels online 24 hours a day, 7 days a week. You can design and order in minutes without the need of third-party plug-ins.

With this simple two-step interface, you can choose from our wide range of contemporary styles then order and receive your instant email confirmation.

Register online now for your very own control panel; add, edit and delete quotes and have full access to your order history.

Gateway is available via our website: www.virtuoso-doors.co.uk

For all enquiries regarding our product range and services, including our online Gateway service, please contact us on:

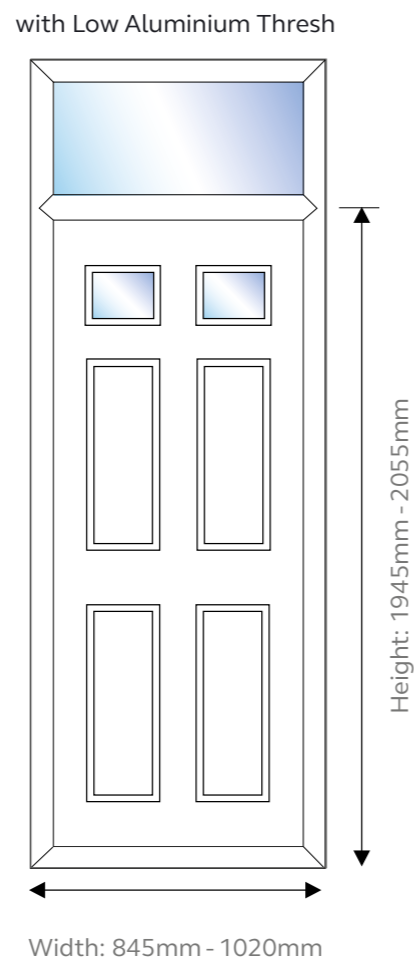
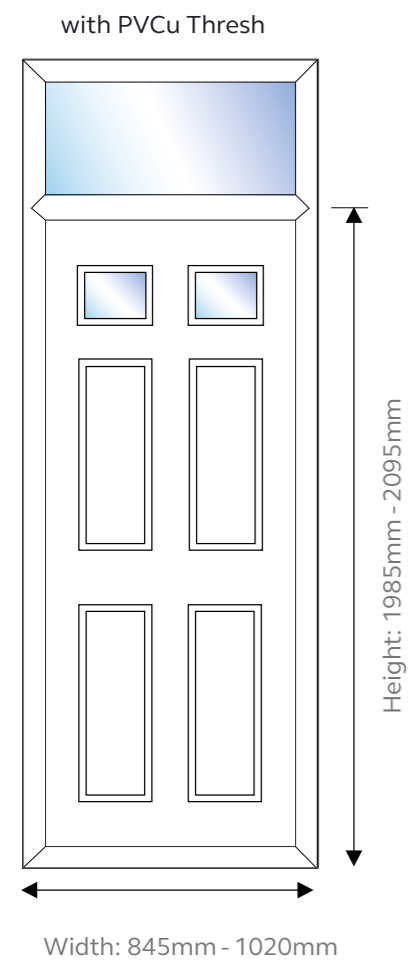
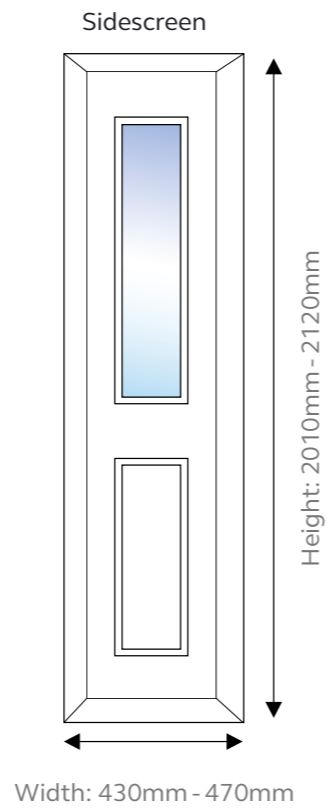
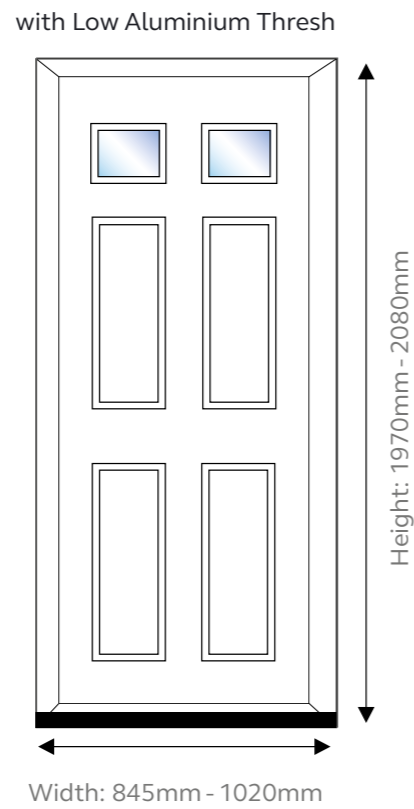
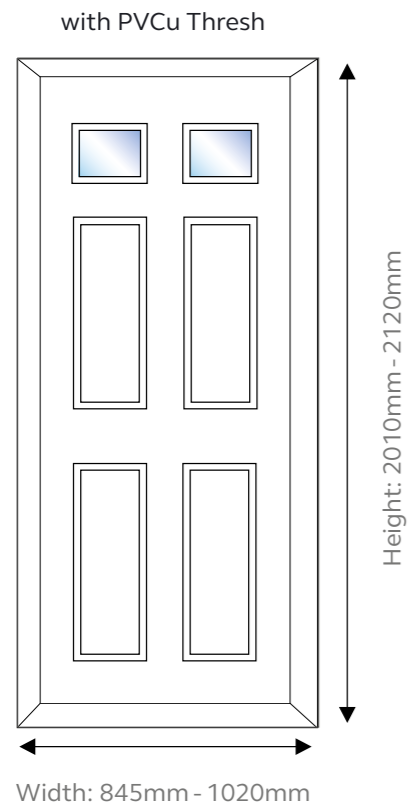
Telephone: 0191 410 9333

Email: sales@virtuoso-doors.co.uk

Composite Technical



Duraflex Minimum & Maximum Widths and Heights 15mm & 35mm Add-ons Available



NB - Malton & Harton
Not available in Darkwood
or Oakwood.

Minimum Width -
870mm

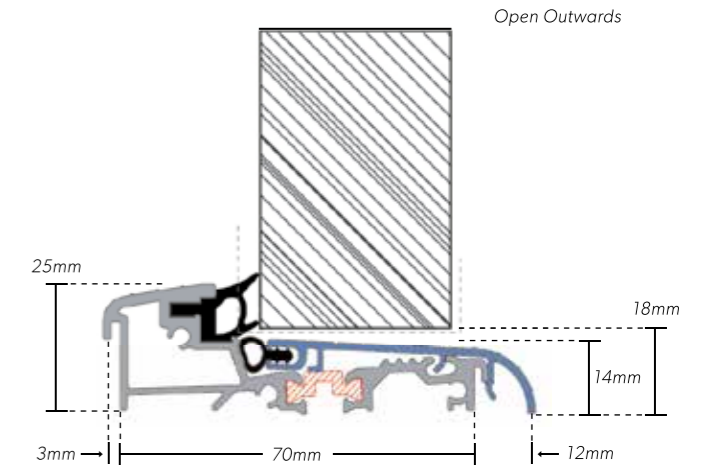
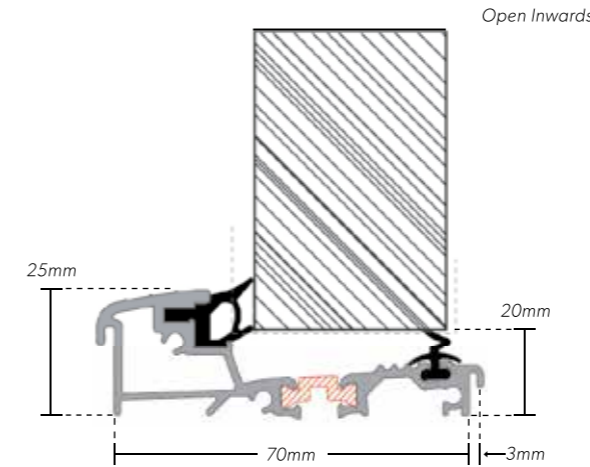
Maximum Width -
945mm

Composite Technical

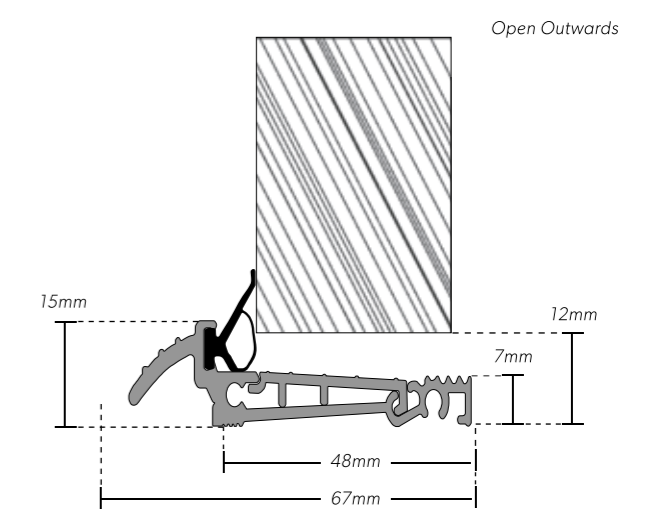
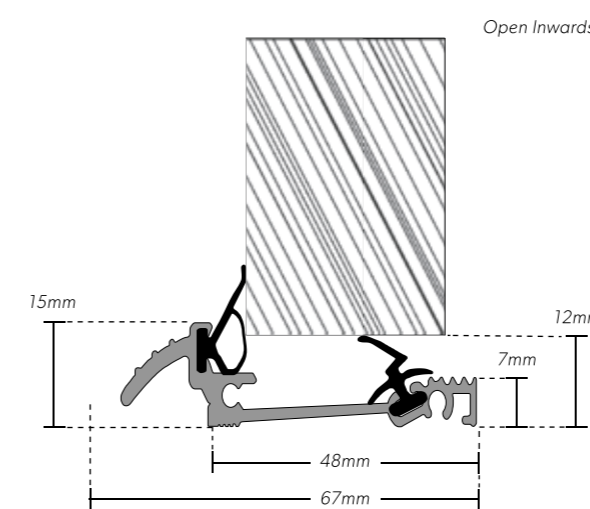


Thresholds Duraflex Profiles

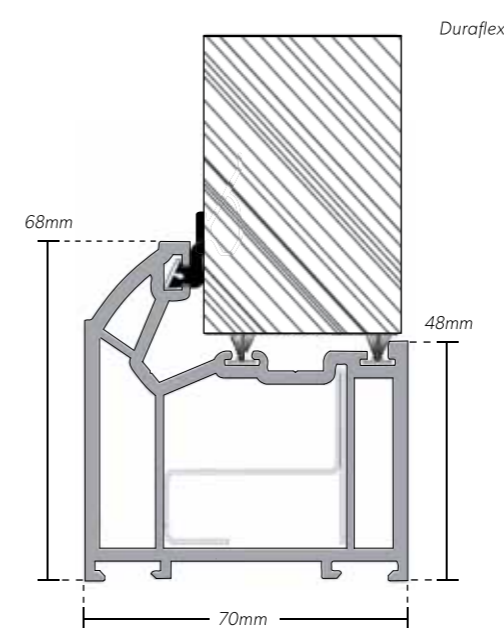
Standard Low Aluminium Threshold



Part M Low Aluminium Threshold



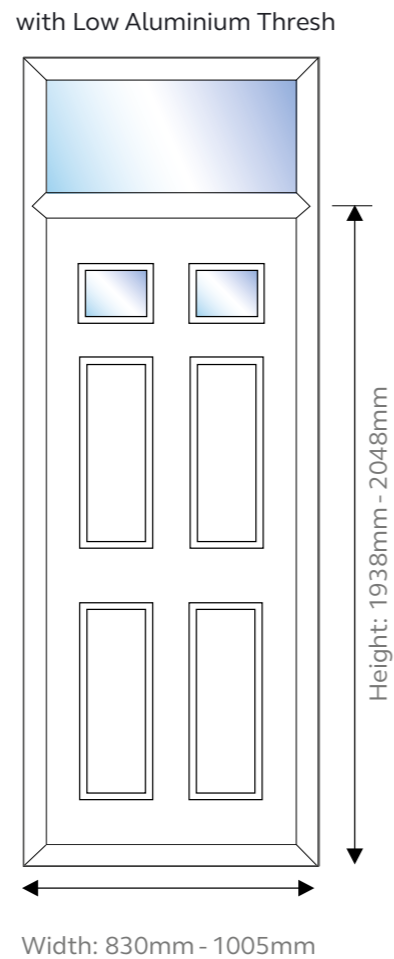
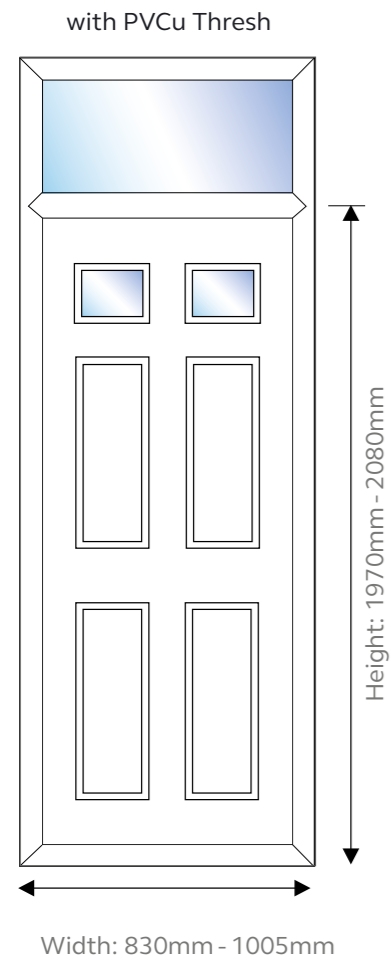
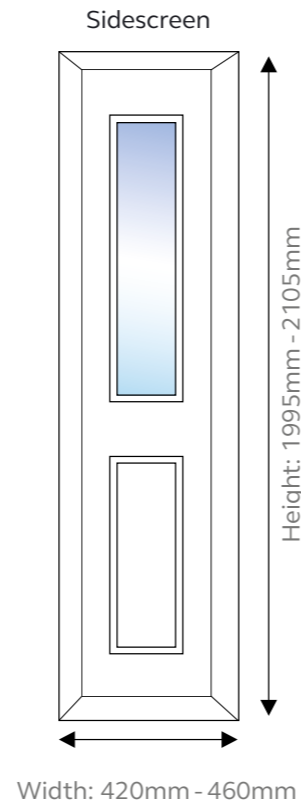
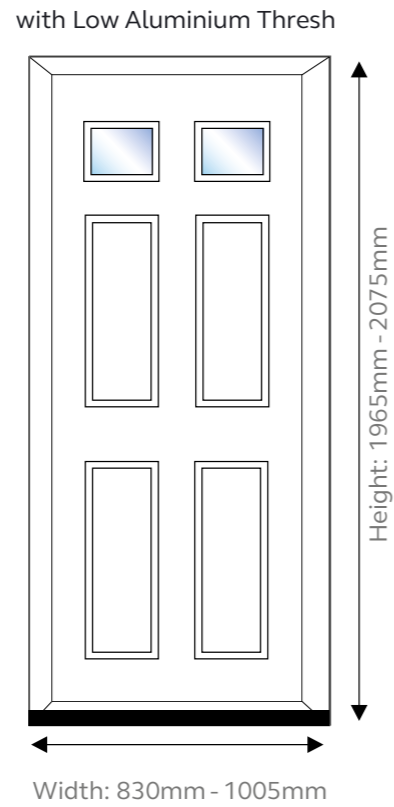
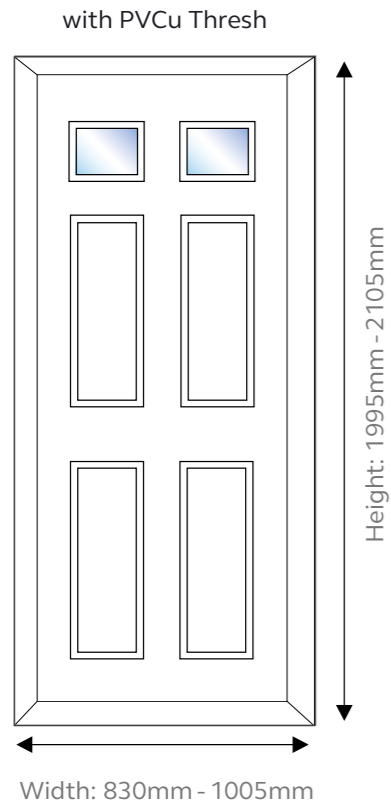
PVCu Threshold



Composite Technical



Rehau Minimum & Maximum Widths and Heights 15mm & 35mm Add-ons Available



NB - Malton & Harton
Not available in Darkwood or Oakwood.

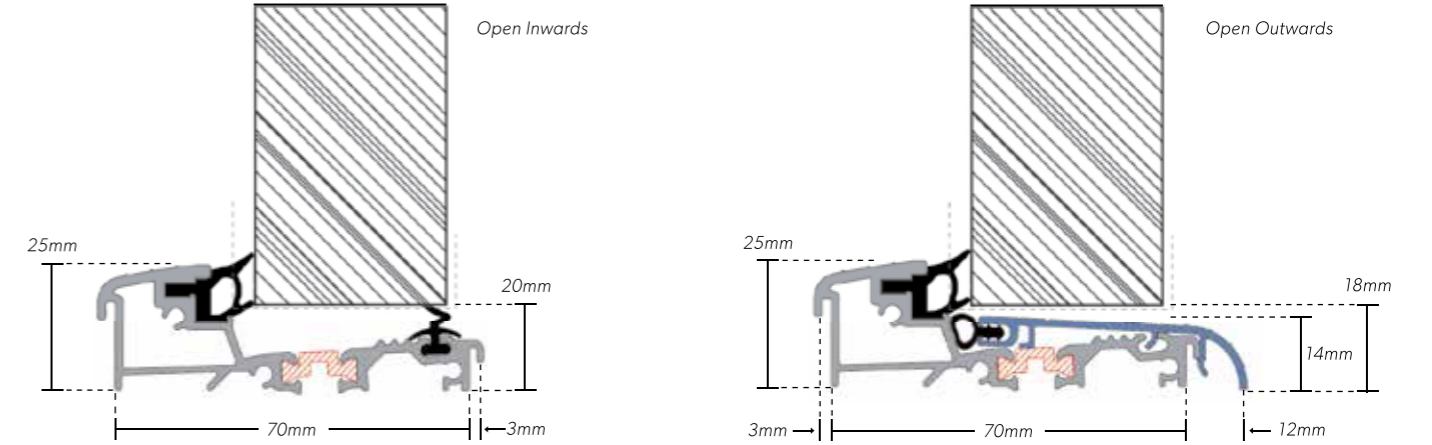
Minimum Width - 857mm
Maximum Width - 938mm

Composite Technical

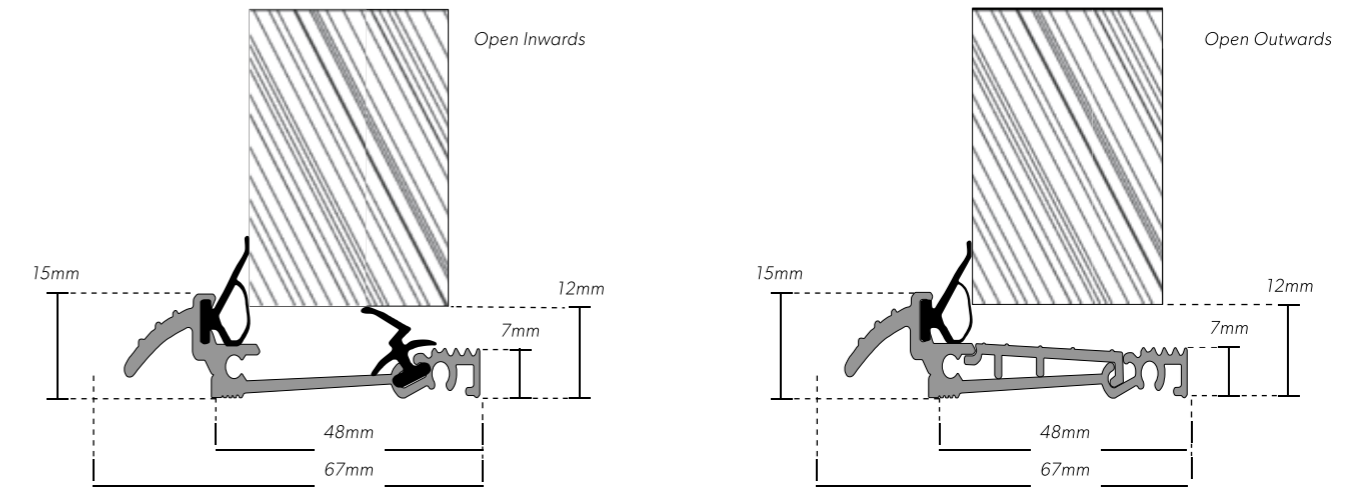


Thresholds Rehau Profiles

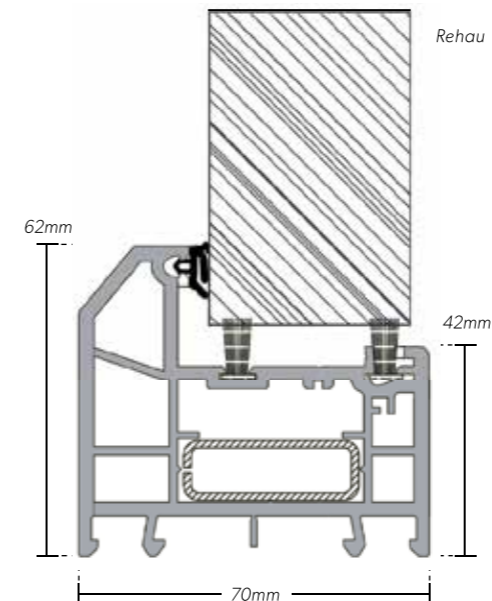
Standard Low Aluminium Threshold



Part M Low Aluminium Threshold



PVCu Threshold

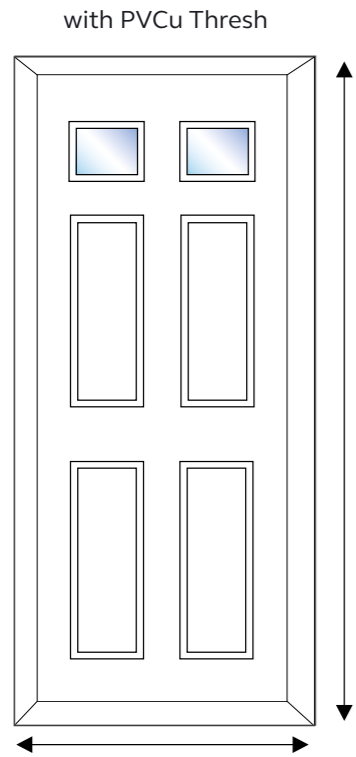


Composite Technical



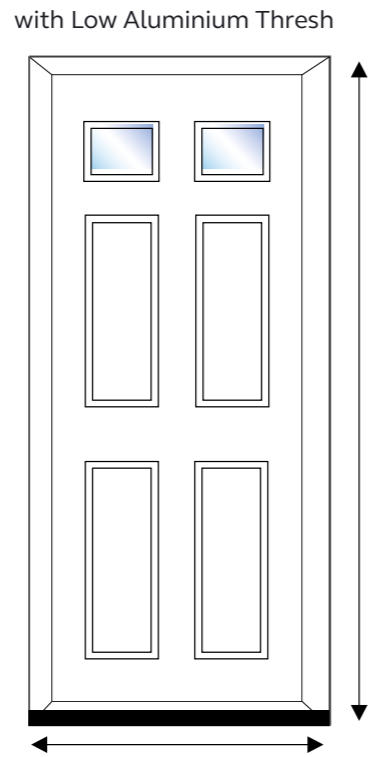
Halo Minimum & Maximum Widths and Heights

15mm & 35mm Add-ons Available



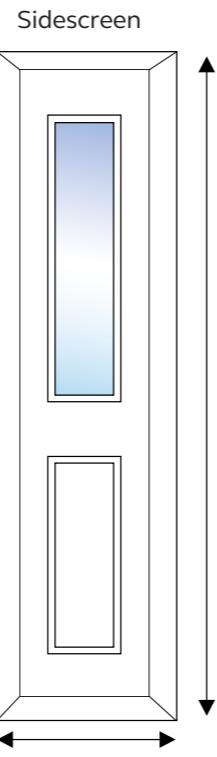
Standard PVCu Thresh: 2007mm - 2117mm
Low PVCu Thresh: 1989mm - 2099mm

Width: 845mm - 1010mm



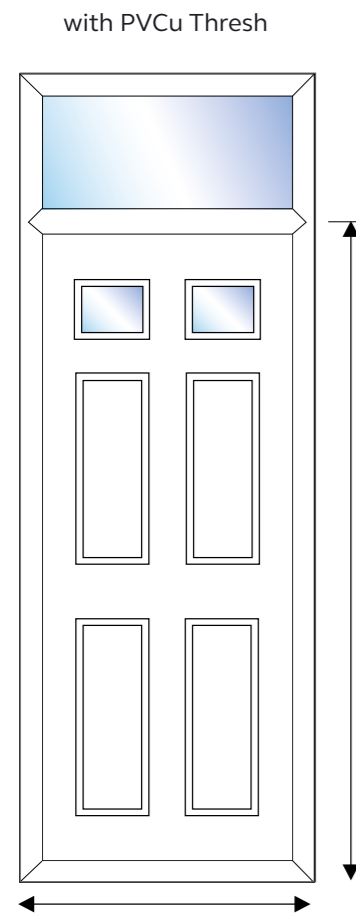
Height: 1971mm - 2081mm

Width: 845mm - 1010mm



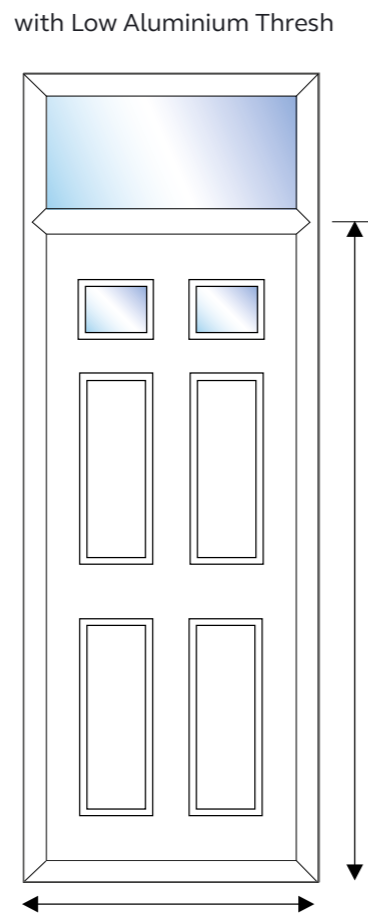
Height: 2017mm - 2127mm

Halo: 415mm - 465mm



Standard PVCu Thresh: 1974mm - 2048mm
Low PVCu Thresh: 1956mm - 2066mm

Width: 845mm - 1005mm



Height: 1938mm - 2048mm

Width: 845mm - 1005mm

NB - Malton & Harton
Not available in Darkwood or Oakwood.
Minimum Width - 870mm
Maximum Width - 945mm

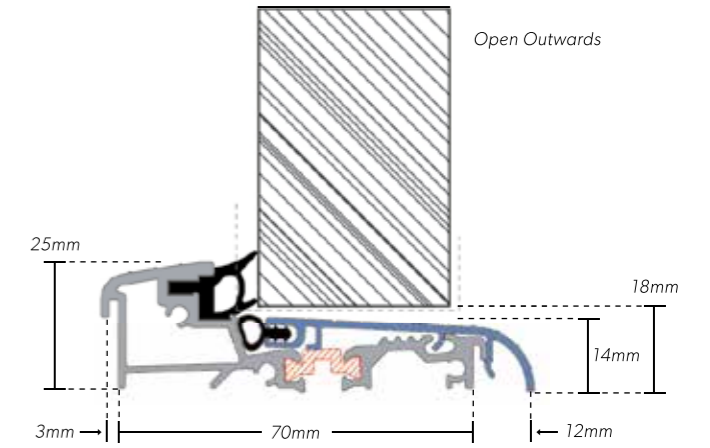
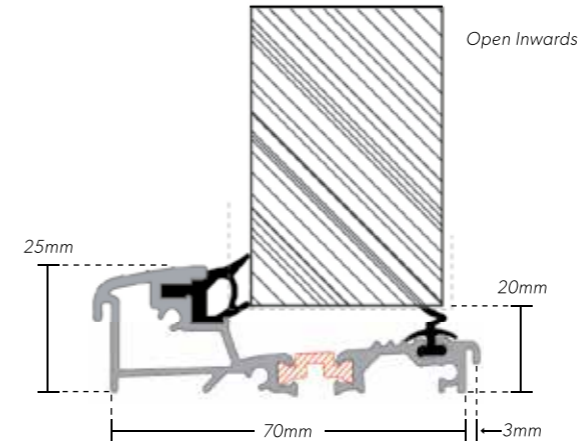
Composite Technical



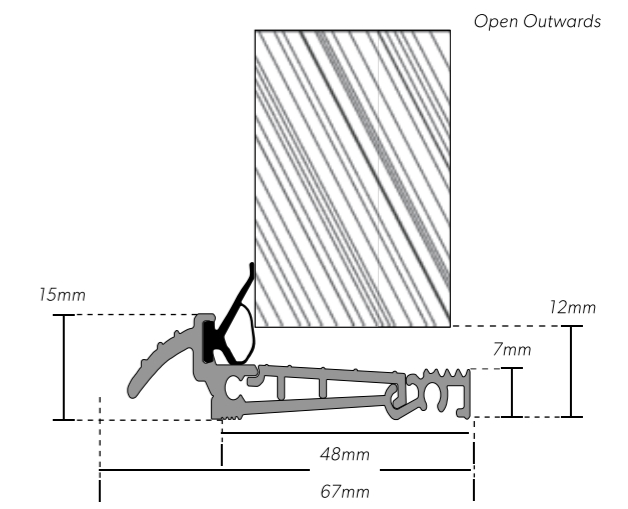
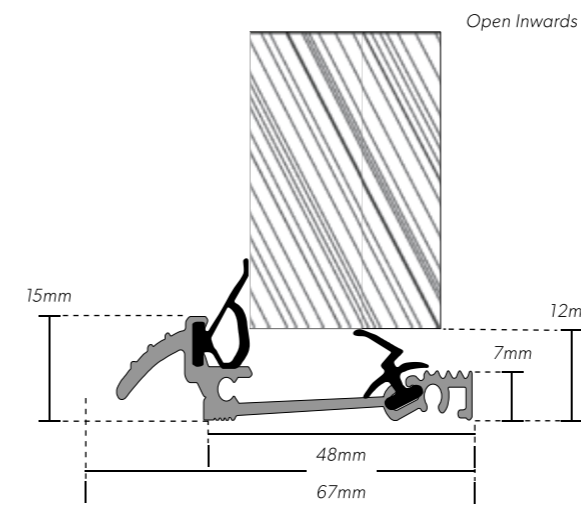
Thresholds

Halo Profiles

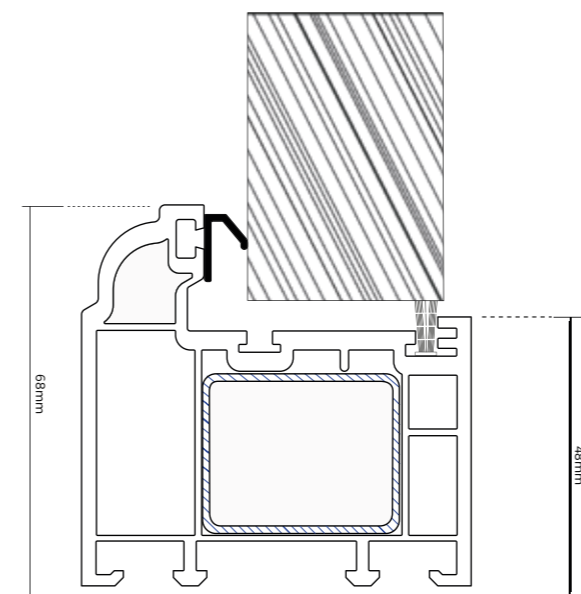
Standard Low Aluminium Threshold



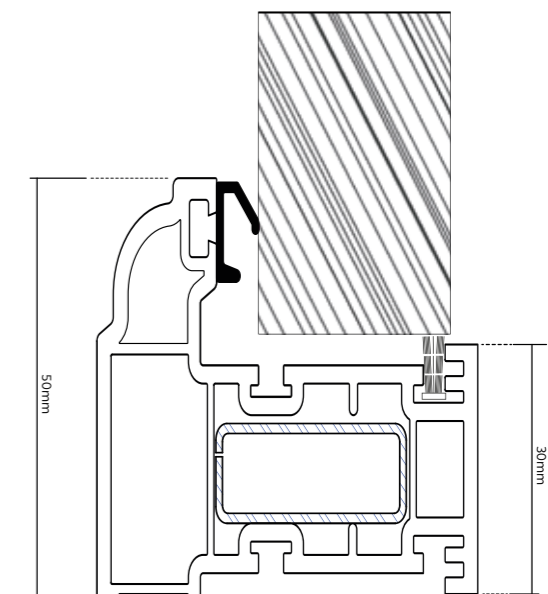
Part M Low Aluminium Threshold



PVCu Threshold



Low PVCu Threshold



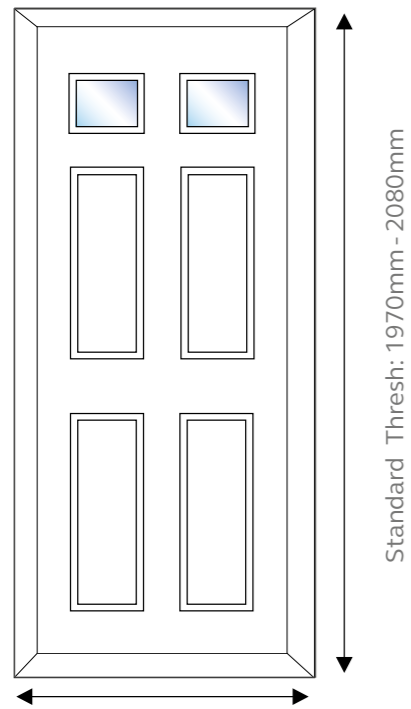
Composite Technical



REAL Minimum & Maximum Widths and Heights

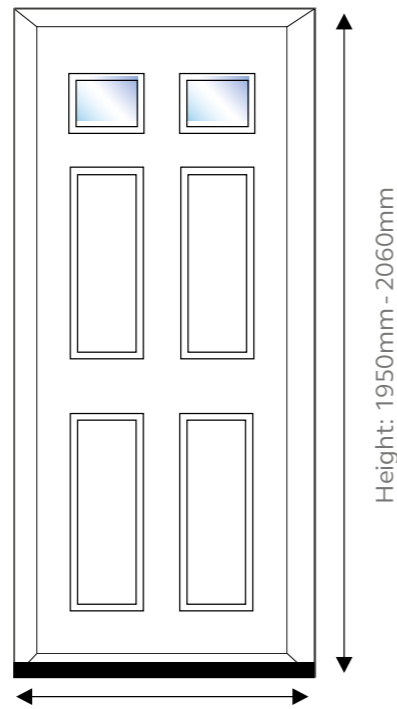
20mm & 42mm Add-ons Available

with Standard Thresh



Width: 810mm - 980mm

with Low Aluminium Thresh



Width: 810mm - 980mm

Standard Thresh: 1970mm - 2080mm

Height: 1950mm - 2060mm

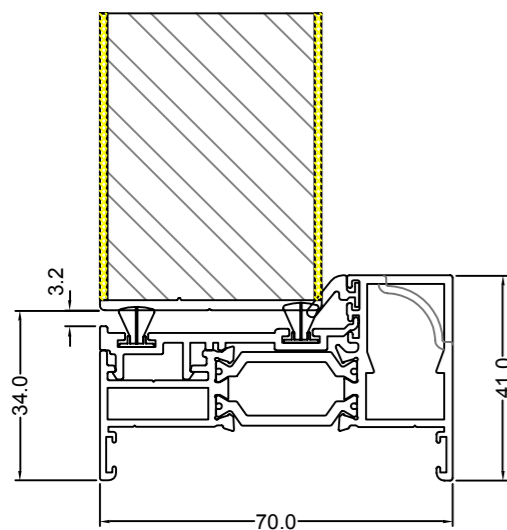
NB - Toplights and Sidelights Available

Separate Frames with Concealed Coupler.

Thresholds

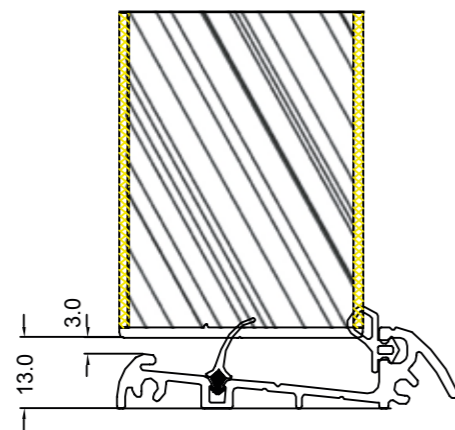
REAL Aluminium Frame

Standard Threshold

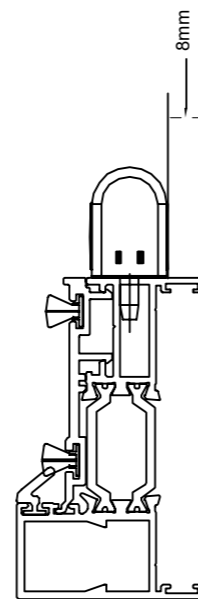


- Contemporary Frame
- Classic-Al Frame (shown)

Low Aluminium Threshold



Hinge Clearance

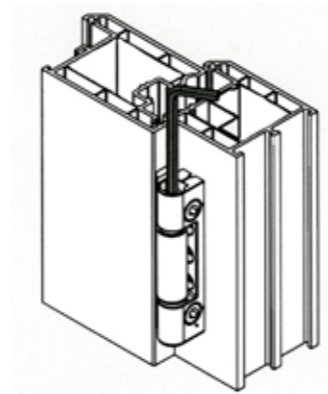


NB - Important Info - Hinge Clearance only 8mm -20mm or 42mm build ups available.

Composite Technical



Hinge Adjustment Guide



Standard Butt Hinge

COMPRESSION ADJUSTMENT +0.5mm -0.5mm (5mm ALLEN KEY)

Remove the top cap.

Check pin alignment via mark on top of pin. If the mark is pointing towards the door sash, the adjustment is in the neutral setting.

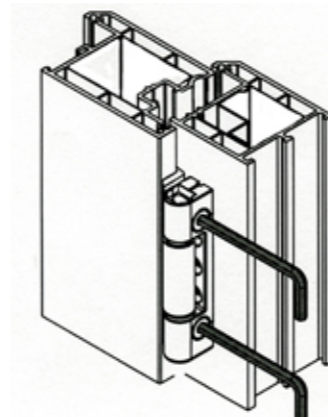
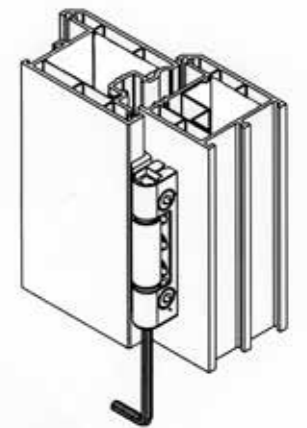
To increase compression, turn the pin so that the alignment mark is moved towards the door frame.

VERTICAL ADJUSTMENT +3.0mm -0.0mm (5mm ALLEN KEY)

Remove the bottom cap.

To raise door sash, rotate the vertical adjustment screw clockwise. Ensure that all other hinges are adjusted equally.

To lower door sash, rotate the vertical adjustment screw anticlockwise. Ensure that all other hinges are adjusted equally.



LATERAL ADJUSTMENT +2.0mm -2.0mm (4mm ALLEN KEY)

Remove the side cover caps.

Rotate the lateral adjustment drives in the direction required. Ensure that each pair of alignment marks are at the same point.

WARNING

It is not recommended to fully adjust either one adjuster only or one hinge only. Adjustments should be made gradually, aligning each pair of marks on each hinge until the desired adjustment is achieved.

Superior Flag Hinge

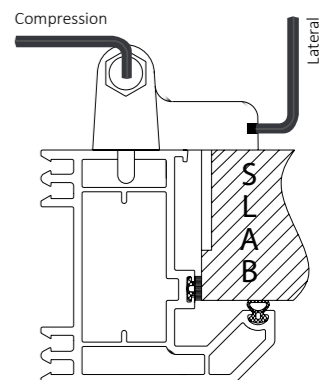
Adjustments (5mm ALLEN KEY)

Compression: +/- 2.00mm

Lateral: +/- 10.00mm

Available in a range of colour finishes.

All adjustments accessible with door in closed position.



Installation Instructions

Installation Instructions for Virtuoso Composite Doors

Pre-Installation Check:

Prior to commencing any installation work, ensure sizes of both the door and the aperture are correct. The door set specification including glazing type, door style and hardware should be checked against the order. Before discarding any packaging check that all ancillary components which may be supplied loose are accounted for.

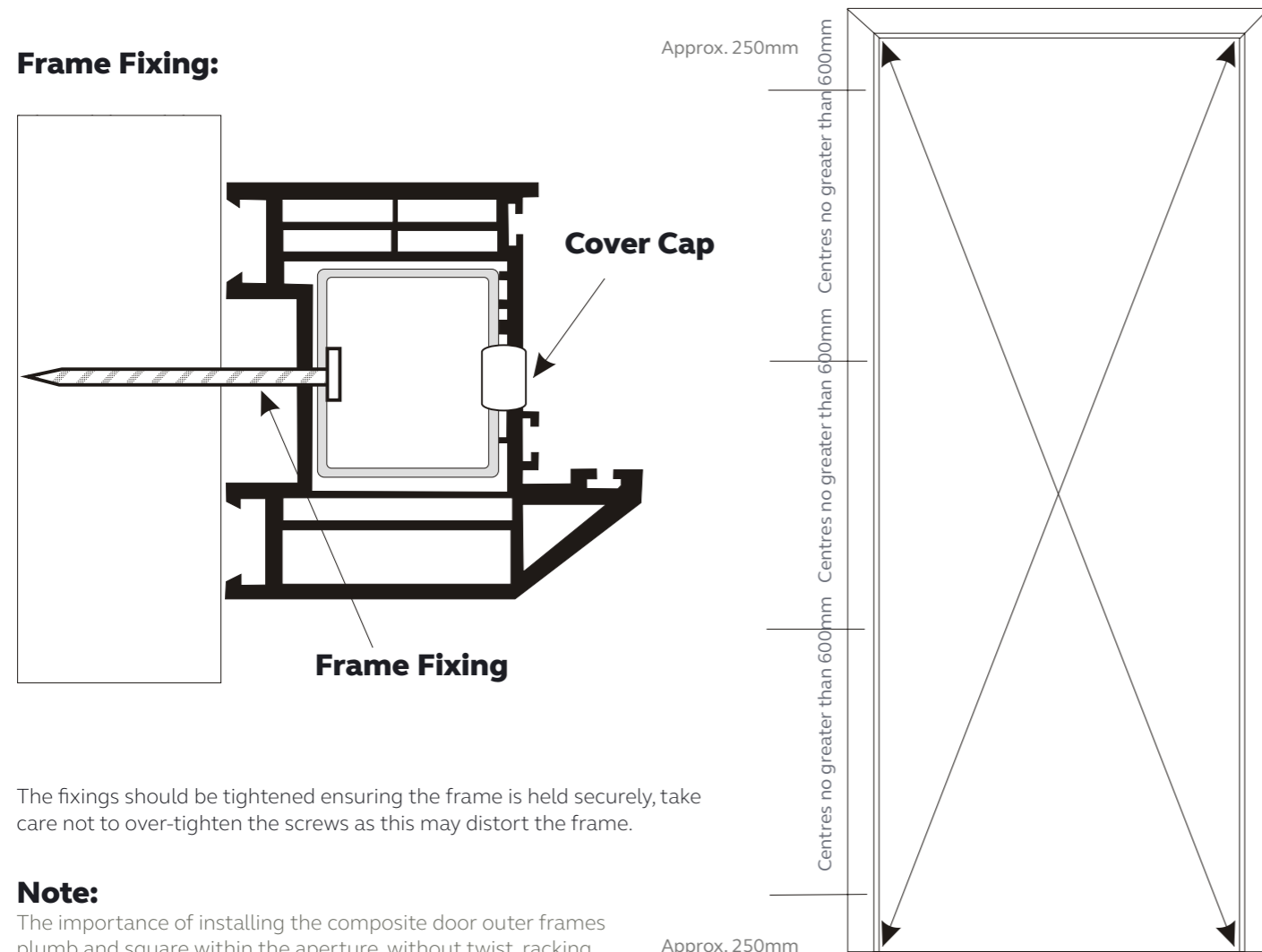
It is important that the door should be installed plumb and square, without being twisted or distorted in any way.

Fixings:

There are two methods of fixing available. The first method is through the frame with a frame fixing. The second method is to use fixing lugs. We recommend for fixing the composite door, only through frame fixings should be used. The frame fixing should penetrate at least 50mm into the substrate.

The squareness should be checked by measuring the diagonals.

Frame Fixing:



The fixings should be tightened ensuring the frame is held securely, take care not to over-tighten the screws as this may distort the frame.

Note:

The importance of installing the composite door outer frames plumb and square within the aperture, without twist, racking or distortion of any form cannot be over emphasised.

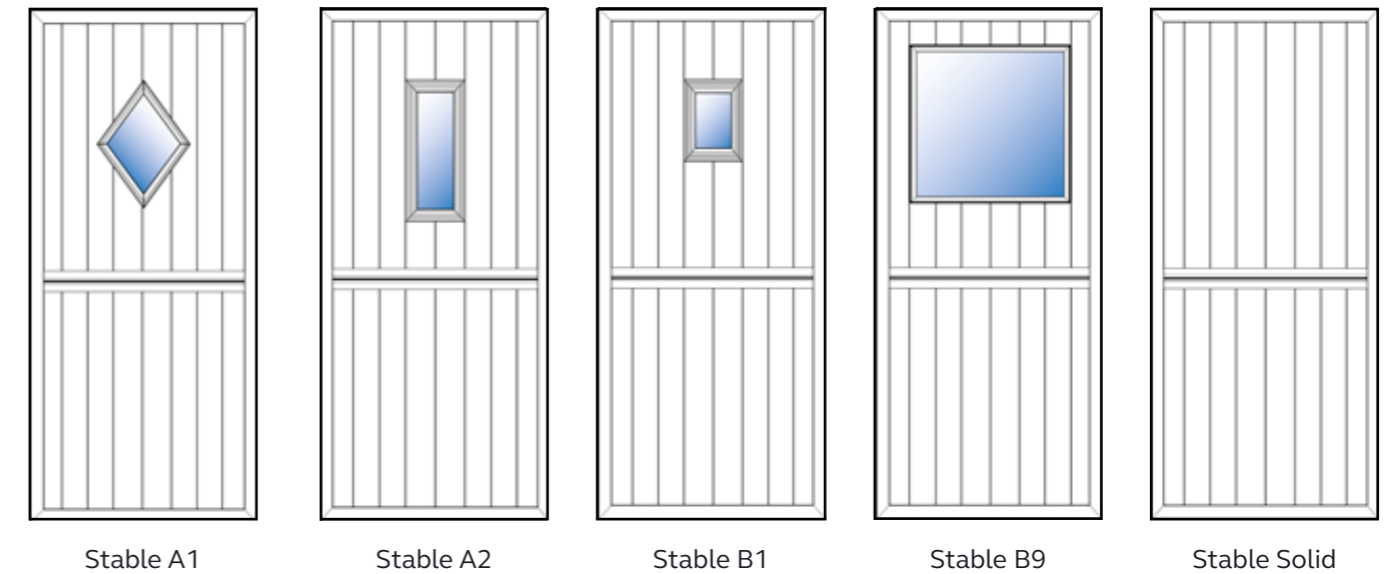
Virtuoso Stable Door

Composite Stable Door

- Independent Top and Bottom Door Leafs
- Lever Operated Top Lock
- Key-Operated Bottom Lock with Roller Latch
- Keyed Alike Thumb Turn Cylinders
- Radius End Steel Keeps with 2mm Adjustment
- 25mm Throw Tapered Plated Steel Hooks
- Sprung Latch and Nickel-Plated Steel Deadbolt



Available Styles



Features



* Adjustable Steel Keeps



* Tapered Steel Hooks



* Stable Door External View

Door Maintenance Guide

Cleaning your Door

Your Virtuoso door will stay in top condition with just one clean a month. Here's how to care for each part of your door...

Part of the Door	Cleaning	Finishing
Door Leaf	Keep the grime and grit away with warm, soapy water (not washing up liquid) and wipe with a soft cloth	<p>CAUTION DO NOT USE</p> <ul style="list-style-type: none"> -Washing up liquid or detergents -Abrasive cleaners or scouring pads -High pressure or steam cleaners -Bleach, solvents (spirits and thinners) or adhesives -Before cleaning your door, remove all rings, bracelets and watches <p>Stubborn stains demand a specialised PVCu cleaner. Read the cleaner's guidelines carefully</p> <p>Finish with a proprietary glass cleaner</p> <p>Finish with a proprietary glass cleaner (oxidisation will occur naturally over time)</p>
Door Frame	Wash with warm, soapy water	
External Glass	Wash with warm, soapy water using a soft cloth	
Leaded Glass	Wash with warm, soapy water	
Hardware (handles, knockers)	Take a clean cloth and warm water with mild detergent, then simply wipe clean to a shine	

Maintaining your Door

Your Virtuoso doors are low maintenance—you'll find a little care every six months goes a very long way...

Part of the Door	Cleaning	Finishing
Hinges	Keep them at their best by lubricating with a little light engineering oil, e.g. 3 in 1	<p>IMPORTANT</p> <p>Protect your door from natural thermal distortion. Make sure the top and bottom locking points are engaged by pulling the handle up every time you shut the door.</p> <p>Especially important if you live near the coast, by a building or industrial site</p>
Hardware (handles, knockers)	Just add a touch of light engineering oil on all moving parts	

*** Easy to clean and very low maintenance**

Door Maintenance Guide

Doors made of all materials experience thermal movement. The composite door will recover to its flat plane, to a maximum bow of 3mm side to side and 5mm top to bottom, when the installation recommendations are applied (see below).



Vertical

Deflection of the slab inwards and outwards from top to bottom.

Maximum bow permitted is 5mm measured from the middle of the slab.

Horizontal

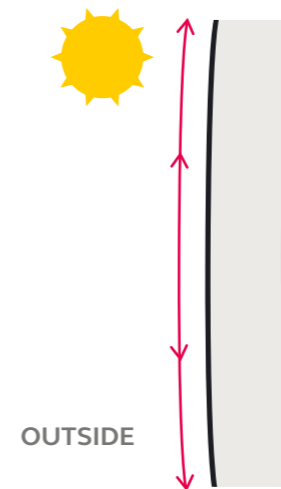
Deflection of the slab inwards and outwards from side to side.



Maximum bow permitted is 3mm measured from the middle of the slab.

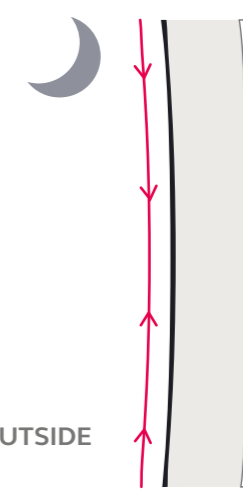
Slackening off the lock keeps will compensate for the movement of the slab within these tolerances. The hooks of the multipoint lock must be in compression with the inner edge of the pocket keep. If this does not happen the door may move to the inside of the property (towards the cold side) and give the impression the door is bowed.

It is important to ensure the centre keep for the latch only allows the door to become flush with the inner face of the outer frame and not any tighter as this could also cause the door to appear bowed.



OUTSIDE

INSIDE



OUTSIDE

INSIDE

If the hooks on the multipoint lock are not thrown throughout the day and the centre keep setting is too tight, the top and bottom of the door will be in unsupported tension and will eventually stand proud of the inner face of the profile. This will make the hooks on the lock to become stiff, as they cannot draw themselves into the hook keep.

Protect your door from natural thermal distortion. Make sure the top and bottom locking points are engaged by pulling the handle up every time you shut the door.

If these points are not observed, the warranties on the functionality and operation of the door could be affected. Condensation issues are typically building ventilation related, not product related.

Virtuoso Lead Times

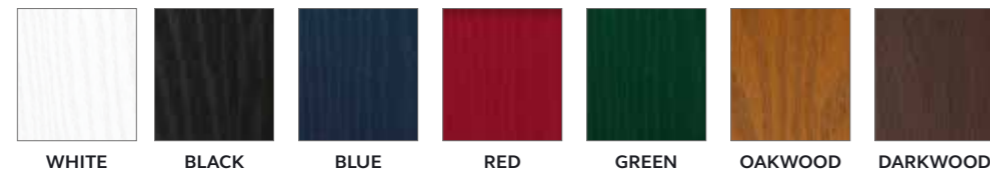
Current Lead Times for Virtuoso Composite Doors

* Lead times are from the date of the processed order

Frame Colour	Slab Colour Ext	Lead Time
White Both Sides	Standard	5 Days
White Both Sides	Superior	2 Weeks
Rosewood on White	Standard	7 Days
Rosewood on White	Superior	2 Weeks
Rosewood Both Sides	Standard	7 Days
Rosewood Both Sides	Superior	2 Weeks
Oak on White	Standard	7 Days
Oak on White	Superior	2 Weeks
Oak Both Sides	Standard	7 Days
Oak Both Sides	Superior	2 Weeks
Painted External	Standard	2 Weeks
Painted External	Superior	2 Weeks
Painted Both Sides	Standard	3 Weeks
Painted Both Sides	Superior	3 Weeks
Aluminium Frame (Stock Colour)	Standard	3 Weeks
Aluminium Frame (Stock Colour)	Superior	3 Weeks

Please note, queries on the order may delay the lead time.
Lead times may vary depending on your delivery days.

Standard colour options



Superior colour options



* Custom RAL colours available upon request

Virtuoso Composite Doors

Why Choose a Virtuoso door?

Virtuoso doors are manufactured utilising the latest technology and finest possible materials. Virtuoso has a strong reputation for absolute quality combined with incomparable service to provide what we believe is the best GRP composite door available on the market.

- Lock**
HIGH SECURITY LOCKING SYSTEM
Yale Milenco 20mm face plate lock. 2 hook, 3 deadbolt & latch.
- Frame**
3 PROFILE OPTIONS
Choose from either Halo Rustique, Rehau Bevelled or Duraflex Featured.
- Handle**
FAB & FIX BALMORAL
High quality Fab & Fix Balmoral handle available in multiple colours.
- Letterplate**
FAB & FIX NU-MAIL
High quality Fab & Fix letterplate available in multiple colours.
- GRP Door Leaf**
3.8mm THICK GRP SKINS
Our 3.8mm GRP skins are twice as thick as most others on the market and comply with all current security testing.
- Drip Bar**
COLOUR-MATCHED DRIP
Colour matched as standard to the door leaf.

