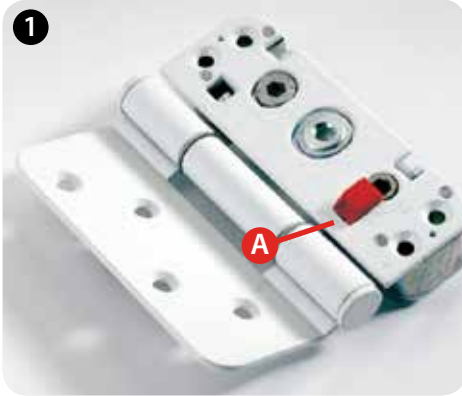


Avocet Affinity 3D Hinge Instructions

Tools required

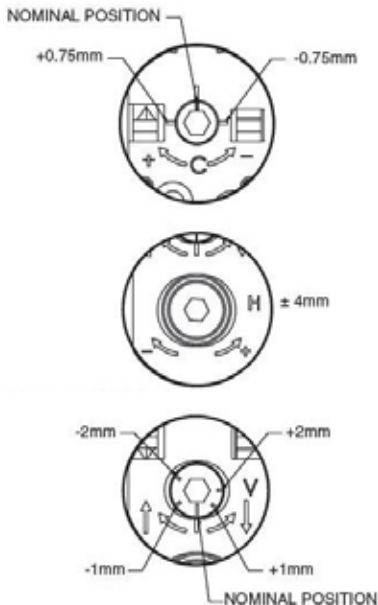
- 5mm Allen Key



With the door upright pull out and dispose of the red locking wedge (A)



Use a 5mm Allen Key for independent compression, horizontal and lateral adjustments.



Compression
4.0mm (± 2.0mm)

Lateral Adjustment
8.0mm (± 4.0mm)

Vertical Adjustment
1.5mm (± 0.75mm)

DO NOT FORCE THE ADJUSTMENTS BEYOND THEIR TOLERANCE