



Atlas Roof Lantern

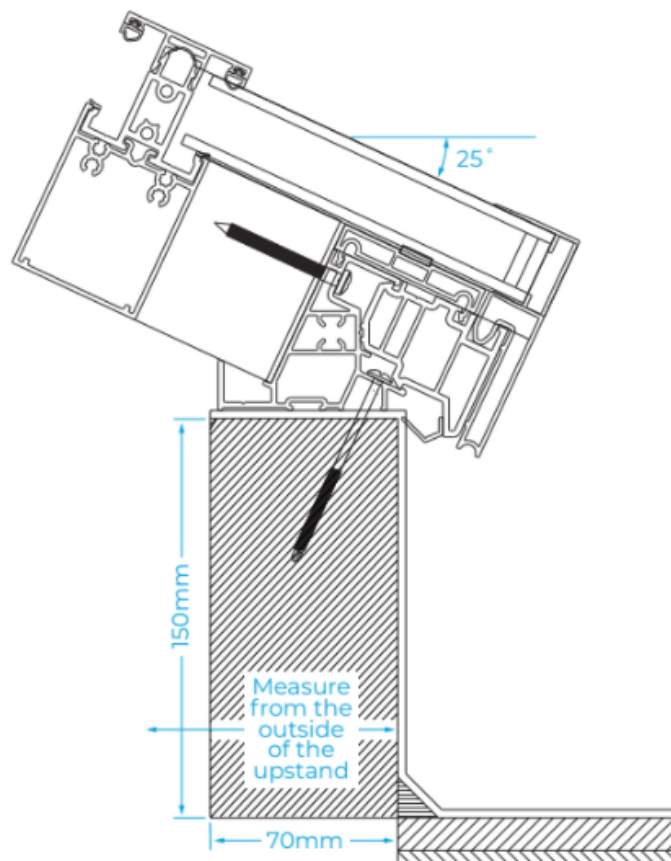
Ordering / measuring is calculated from the external kerb / upstand dimensions. Measure the size of the upstand (including membrane). Atlas allow their own tolerance so there is nothing to add on these dimensions.

Upstand minimum depth - 67mm

Upstand recommended height - 150mm

Glass Options - Clear & colour tints

- Example 1 - external upstand 2000x1000mm, lantern size to order 2000x1000mm.
- Example 2 - clear opening / hole 1860x860mm, 70mm upstand all the way round makes external upstand dimensions of 2000x1000mm. Lantern size to order 2000x1000mm.



MINIMUM UPSTAND DIMENSIONS