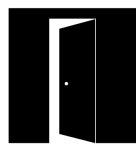




Signature
DOORS

The All Aluminium Composite Door



External Doors Online



BRITISH MANUFACTURING

We are proud to be British manufacturers, dedicated to providing the UK's finest aluminium window and door systems. We ensure that our products are of the highest quality, boasting a wide-ranging and comprehensive variety that is unparalleled in the industry.

We don't just stop there - We take our environmental impact seriously and are working tirelessly to become carbon-neutral and energy self-sufficient, a reflection of our unwavering commitment to the environment. Choose us and rest assured you're choosing the best of British quality, reliability, and innovation.



STYLISH & STUNNING

Signature

DOORS

for instant kerb appeal

Introducing our brand new Signature range, the all aluminium composite door.

Whether you're seeking a modern, traditional, or classic front door, or even a new back door, we have it all covered in our comprehensive range. With a vast selection of colours, accessories, and glazing designs, you have the freedom to customise their door to perfectly match your preferences.

But that's not all - our Signature Doors come with top-notch safety and security features, ensuring peace of mind while offering long-lasting performance. Get the perfect blend of style, safety, and value with our Signature Door range.

 **Unbeatable Security**

Our Signature Doors have been designed to provide the ultimate in safety and security, protecting your family and your home.

 **Outstanding UV Resistance**

Our high-quality powder coating process means your door will stay bright and vibrant for longer. It won't ever fade, rust or need re-painting.

 **Virtually Maintenance Free**

Simply wiping your door and frame with fresh water and a light detergent once a month is all that is needed to prevent the build-up of dirt.

 **Strong and Durable**

The strong and durable powder coat finish will be much more resilient to chips, scuffs and scratches than painted doors.



CARNABY | DM3001
A modern classic providing elegance and style, allowing light to flood into the home.



LANSDOWN | DM3002
Three glazed panels add an interesting design twist to this stylish, modern entrance door.



MILLBROOK | DM3003
A timeless classic, this solid entrance door oozes understated elegance and style.



WOODCHESTER | DT3001
This fabulous new back door delivers all the benefits of its front door counterparts.



BROADFIELD | DT3002
The traditional Broadfield design brings a perfect country cottage look to any home.

A STYLE FOR EVERY TYPE OF PROPERTY

From sleek and modern to timeless and classic, we've curated a variety of designs to suit every style preference while ensuring maximum security. Whether you're looking for a front or back door, our Signature Door range offers the perfect solution for your needs.



DESIGNED FOR LIFE

Built to last



Signature COLOURS

Our Signature doors are available in trending colours and styles, making it easier for you to choose the right design for your home. We are confident that our doors will coordinate beautifully with your homes, both inside and out, enhancing their curb appeal and overall value.



Scan the QR Code to download your copy of the Smart Colour Guide

We understand how important it is to provide our customers with peace of mind when it comes to your door purchases. That's why we offer a comprehensive range of guarantees that cover everything from the paint finish and construction to the hardware and glazing of our Signature Doors.

Our guarantees are designed to cover each stage of the process, providing you with complete assurance throughout your entire experience. You can rest easy knowing that all the individual elements of your new Signature Door are covered by our guarantees.

✓ Powder Coating

We guarantee our powder coating will maintain its brilliance for **25 years**.

✓ Manufacture

All of our Signature Doors have a manufacture guarantee of **10 years**.

✓ Glazing

All of our glazed door designs come with a guarantee of **5 years**.

✓ Hardware

We provide a **12 month** guarantee on all hardware fitted to your new door.



DOOR FURNITURE

TO SUIT EVERY STYLE OF HOME

Balmoral
Inline Lever Handle



Black Chrome Gold Graphite White

Windsor
Inline Lever Handle



Black Chrome Gold Graphite White

Architectural
Inline Lever Handle



Chrome Gold Graphite

Bull Ring
Door Knocker



Black Chrome Gold Graphite White

Nu Victorian
Urn Medium



Black Chrome Gold Graphite White

Nu Victorian
Urn Medium with spyhole



Black Chrome Gold Graphite White

Nu Victorian Slim
Urn Large



Black Chrome Gold Graphite White

Nu Victorian Slim
Urn Large with spyhole



Black Chrome Gold Graphite White

Architectural
Door Knocker



Chrome Gold Graphite

Nu Mail
Letterplate




Black Chrome Gold Graphite White

Architectural
Letterplate



Black Chrome Gold Graphite White

Spyhole



Chrome Brass

12 **Hardware Guarantee**
We provide a 12 month guarantee on all hardware fitted to your new door

Experience unmatched security!

Anti-Drill

Hardened steel anti-drill pins are located at each side of the cylinder. All moving pins are also nickel-plated hardened steel (50 HRC maximum).

Anti-Snap

A 'sacrificial' zone is created to ensure that if the lock is snapped, an intruder cannot gain access to the inner workings.

Anti-Pick

The locks are made in such a way that they are almost impossible to pick.

Combinations

Over 80,000 different key combinations

3-Star Rating

Our cylinders have been awarded a 3 star rating, which means they have passed all of the criteria of the TS007 British Kitemark.

Anti-Bump

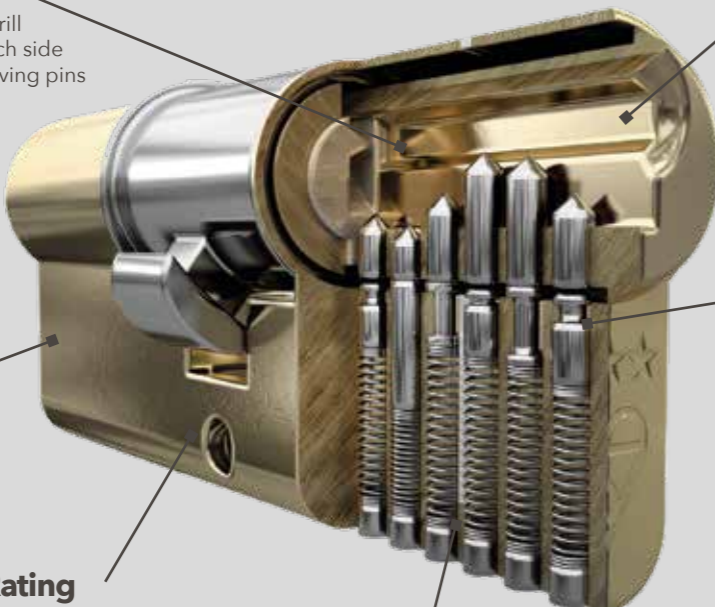
It is not possible for an intruder to 'bump' the pins above the shear line to gain access.

Center Latch and Deadbolt

Spring loaded centre latch providing a tactile resistance and a deadbolt offering maximum resistance to forced entry.

Top and Bottom Deadbolts

Hook bolt with dual round bolts offering maximum resistance to forced entry.



GIVE YOUR HOME

OUTSTANDING PROTECTION

When it comes to your safety and security, We've got you covered. We've collaborated closely with the most reputable security experts in the industry to develop a comprehensive line of doors that go above and beyond the established benchmarks.



You can trust that our Signature doors are designed and built with the customers' utmost protection in mind, so you can have peace of mind knowing that you're installing safe and secure entrance doors.

- Multi-point locking mechanisms that make them incredibly secure against forced entry attempts
- Security tested to PAS24: 2016
- High-quality, anti-bump, anti-pick, and anti-drill locks
- Precision-engineered aluminium frames that provide exceptional strength and durability



25 **Powder Coating Guarantee**
We guarantee our powder coating will maintain its brilliance for **25 years**

10 **Manufactures Guarantee**
All of our Signature Doors have a manufacture guarantee of **10 years**

5 **Glazing Guarantee**
All of our glazed door designs come with a guarantee of **5 years**



External Doors Online



04/23.V1. All images are for illustrative purposes only. Actual products and colours may vary. Please ask your Installer for further details. The contents cannot be reproduced, in whole or in part, without explicit permission. Terms and conditions of sale apply, a copy of which is available on request. Created by Karma Design www.karmadesignuk.com